

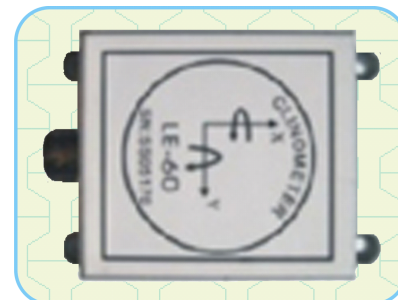
Inclinometer

FEATURES

- Biaxial Angle Measurement
- RS232 or RS485 Output
- Build-in Temp. Compensation
- Build-in Impact Suppression
- Water-proof House

APPLICATIONS

- Platform Measurement
- Precision Tilt Measurement
- Geomechanical Leveling
- Lab Instrument
- Aerospace System

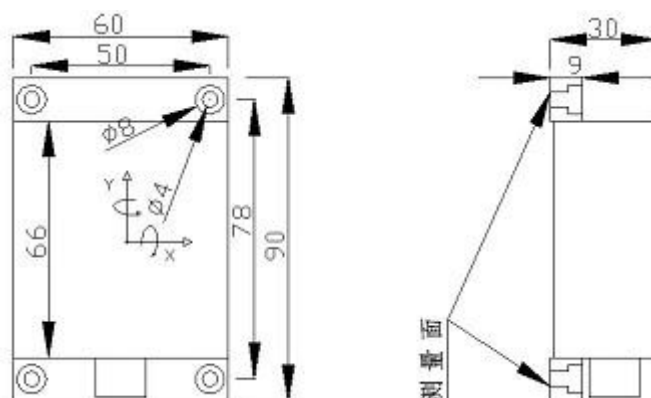


SPECIFICATIONS

Parameter	Unit	Value
Range (Biaxial)	deg	$\pm 15, \pm 30, \pm 45, \pm 60$
Resolution	deg	± 0.02
Accuracy ($\leq \pm 30^\circ$)	deg	$\leq \pm 0.06$
Accuracy ($\pm 30^\circ \sim \pm 60^\circ$)	deg	$\leq \pm 0.10$
NonLinearity	%	$\pm 0.1\%$
Repeatability	deg	± 0.05
Temperture Drift	deg/ $^\circ\text{C}$	0.01
Response Rate	Hz	4~12.8
Voltage	V	5.5~15
Current	mA	50~60
Serial Data Format		9600, n, 8, 1
Operating Temperature	$^\circ\text{C}$	-40~80

Note: 1. Product with other specifications are also available per request.

DIMENSION DRAWING



ORDERING INFORMATION

SICR- NN

Range

20 \pm 20g

50 \pm 50g